

NwNSW-70

Competitors

#	Name	Club	1	2	3	Wins	Pts	Pos
1	Michelle JORGENSEN	Kelowna	XX	10		1	10	2
2	Nicole ALLPORT-NILES	Shinbukan		XX		0	0	3
3	Alisha SORENSEN	Vernon	5	10	XX	2	15	1

Matches

Match	White			Blue	Result	Time	Code
A-53	Michelle JORGENSEN	1	2	Nicole ALLPORT-NILES	10 - 0	1:20	IPO
A-55	Michelle JORGENSEN	1	3	Alisha SORENSEN	0 - 5	4:00	WAZ
A-57	Nicole ALLPORT-NILES	2	3	Alisha SORENSEN	0 - 10	1:28	IPO

Results

Pos	Name
1	Alisha SORENSEN, Vernon
2	Michelle JORGENSEN, Kelowna

NwSM-75

Competitors

#	Name	Club	1	2	3	Wins	Pts	Pos
1	Blair EDWARDS	Penticton	XX	10	10	2	20	1
2	Andrew MAY	Shinbukan		XX		0	0	3
3	Mason SUPPANZ	Kamloops		5	XX	1	5	2

Matches

Match	White			Blue	Result	Time	Code
A-54	Blair EDWARDS	1	2	Andrew MAY	10 - 0	1:44	IPO
A-56	Blair EDWARDS	1	3	Mason SUPPANZ	10 - 0	2:56	IPO
A-58	Andrew MAY	2	3	Mason SUPPANZ	0 - 5	4:00	WAZ

Results

Pos	Name
1	Blair EDWARDS, Penticton
2	Mason SUPPANZ, Kamloops

NwSM-90

Competitors

#	Name	Club	1	2	3	Wins	Pts	Pos
1	Peter DEVEREUX	Delta Kaigan	XX			0	0	3
2	Justin LANG	Abbotsford	10	XX	5	2	15	1
3	Andrew THIESSEN	Kamloops	10		XX	1	10	2

Matches

Match	White			Blue	Result	Time	Code
B-54	Peter DEVEREUX	1	2	Justin LANG	0 - 10	1:00	IPO
B-56	Peter DEVEREUX	1	3	Andrew THIESSEN	0 - 10	0:36	IPO
B-58	Justin LANG	2	3	Andrew THIESSEN	5 - 0	4:27	GSW

Results

Pos	Name
1	Justin LANG, Abbotsford
2	Andrew THIESSEN, Kamloops

NwSM+90

Competitors

#	Name	Club	1	2	3	Wins	Pts	Pos
1	Justin FELLEZ	Westsyde	XX			0	0	3
2	Anthony PLUMTREE	Aberdeen	10	XX	10	2	20	1
3	Lennard SUPERNAULT	Williams Lake	10		XX	1	10	2

Matches

Match	White			Blue	Result	Time	Code
B-53	Justin FELLEZ	1	2	Anthony PLUMTREE	0 - 10	2:34	IPO
B-55	Justin FELLEZ	1	3	Lennard SUPERNAULT	0 - 10	2:58	IPO
B-57	Anthony PLUMTREE	2	3	Lennard SUPERNAULT	10 - 0	0:18	IPO

Results

Pos	Name
1	Anthony PLUMTREE, Aberdeen
2	Lennard SUPERNAULT, Williams Lake

SM-90

Competitors

#	Name	Club	1	2	1	2	1	2	Wins	Pts	Pos
1	Jimmy BIE	Steveston	XX		XX		XX		0	0	2
2	Andrew THIESSEN	Kamloops	10	XX	10	XX		XX	2	20	1

Matches

Match	White			Blue	Result	Time	Code
A-29	Jimmy BIE	1	2	Andrew THIESSEN	0 - 10	2:17	IPO
A-32	Andrew THIESSEN	2	1	Jimmy BIE	10 - 0	0:31	IPO
A-35	Jimmy BIE	1	2	Andrew THIESSEN			

Results

Pos	Name
1	Andrew THIESSEN, Kamloops

SNM-73

Competitors

#	Name	Club	1	2	1	2	1	2	Wins	Pts	Pos
1	Andrew MAY	Shinbukan	XX	10	XX		XX		1	10	2
2	Mason SUPPANZ	Kamloops		XX	10	XX	10	XX	2	20	1

Matches

Match	White			Blue	Result	Time	Code
B-42	Andrew MAY	1	2	Mason SUPPANZ	10 - 0	0:33	IPO
B-47	Mason SUPPANZ	2	1	Andrew MAY	10 - 0	0:27	WIP
B-52	Andrew MAY	1	2	Mason SUPPANZ	0 - 10	1:26	IPO

Results

Pos	Name
1	Mason SUPPANZ, Kamloops
2	Andrew MAY, Shinbukan

U10A

Competitors

#	Name	Club	1	2	3	4	5	Wins	Pts	Pos
1	Nassir LISSIMORE	Kamloops	XX	5		10	10	3	25	2
2	Taitem GRINDLE	Creston		XX				0	0	5
3	Dianna DEBANKS	White Rock	2	10	XX	5	5	4	22	1
4	Ella GINGRAS	Penticton		1		XX	10	2	11	3
5	Cayden BRADLEY	Penticton		5			XX	1	5	3

Matches

Match	White			Blue	Result	Time	Code
A-1	Ella GINGRAS	4	5	Cayden BRADLEY	10 - 0	2:00	IPO
A-2	Nassir LISSIMORE	1	2	Taitem GRINDLE	5 - 0	2:00	WAZ
A-5	Dianna DEBANKS	3	4	Ella GINGRAS	5 - 0	2:00	WAZ
A-6	Nassir LISSIMORE	1	5	Cayden BRADLEY	10 - 0	2:00	IPO
A-9	Taitem GRINDLE	2	3	Dianna DEBANKS	0 - 10	1:31	IPO
A-10	Nassir LISSIMORE	1	4	Ella GINGRAS	10 - 0	2:00	IPO
A-14	Dianna DEBANKS	3	5	Cayden BRADLEY	5 - 0	2:00	WAZ
A-15	Taitem GRINDLE	2	4	Ella GINGRAS	0 - 1	2:00	YUS
A-19	Nassir LISSIMORE	1	3	Dianna DEBANKS	0 - 2	2:00	
A-20	Taitem GRINDLE	2	5	Cayden BRADLEY	0 - 5	2:00	WAZ

Results

Pos	Name
1	Dianna DEBANKS, White Rock
2	Nassir LISSIMORE, Kamloops
3	Ella GINGRAS, Penticton
3	Cayden BRADLEY, Penticton

U10B

Competitors A

#	Name	Club	1	2	3	Wins	Pts	Pos
1	Zachary GRABINSKY	Revelstoke	XX	10		1	10	2
2	Kayleigh MEISTERMAN	Steveston		XX		0	0	3
3	Ryan SCHALK	Steveston	10	10	XX	2	20	1

Matches A

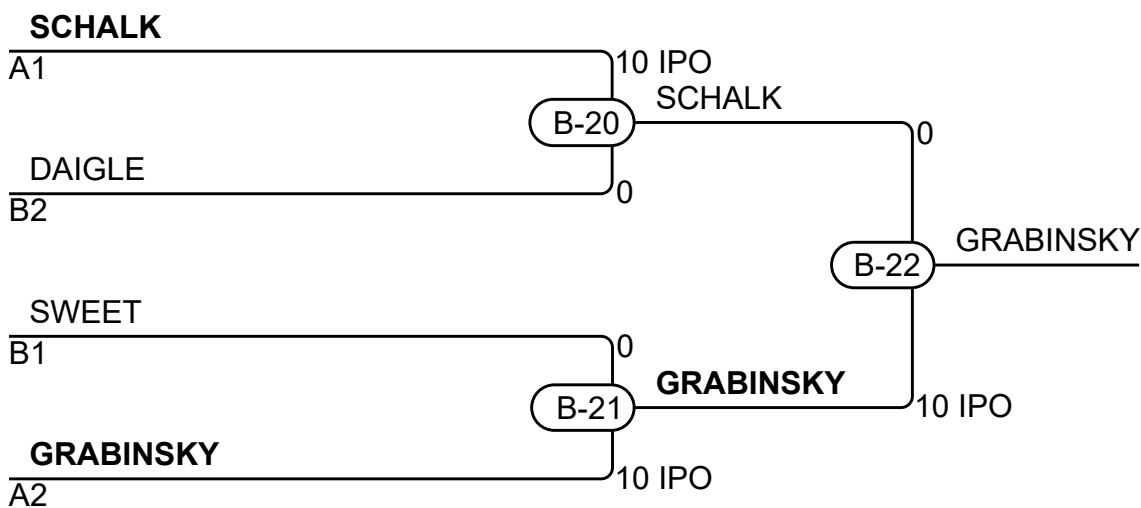
Match	White	Blue	Result	Time	Code
B-1	Zachary GRABINSKY 1 2	Kayleigh MEISTERMAN	10 - 0	0:17	IPO
B-12	Zachary GRABINSKY 1 3	Ryan SCHALK	0 - 10	2:00	IPO
B-17	Kayleigh MEISTERMAN 2 3	Ryan SCHALK	0 - 10	2:00	WIP

Competitors B

#	Name	Club	4	5	6	Wins	Pts	Pos
4	Felix DAIGLE	Revelstoke	XX	10		1	10	2
5	Nate ACTON	Revelstoke		XX	5	1	5	3
6	Vanessa SWEET	Steveston	10		XX	1	10	1

Matches B

Match	White	Blue	Result	Time	Code
B-2	Felix DAIGLE 4 5	Nate ACTON	10 - 0	2:00	IPO
B-13	Felix DAIGLE 4 6	Vanessa SWEET	0 - 10	2:00	IPO
B-18	Nate ACTON 5 6	Vanessa SWEET	5 - 0	2:00	WAZ



Results

Pos	Name
1	Zachary GRABINSKY, Revelstoke
2	Ryan SCHALK, Steveston
3	Felix DAIGLE, Revelstoke
3	Vanessa SWEET, Steveston

U10C

Competitors

#	Name	Club	1	2	3	Wins	Pts	Pos
1	Gwenna FAUPEL	Kamloops	XX		1	1	1	2
2	Vanessa DEBANKS	White Rock	2	XX	5	2	7	1
3	Johanna SPRINGMANN	Shinbukan			XX	0	0	3

Matches

Match	White			Blue	Result	Time	Code
A-11	Gwenna FAUPEL	1	2	Vanessa DEBANKS	0 - 2	2:00	
A-16	Gwenna FAUPEL	1	3	Johanna SPRINGMANN	1 - 0	2:00	YUS
A-21	Vanessa DEBANKS	2	3	Johanna SPRINGMANN	5 - 0	2:00	WAZ

Results

Pos	Name
1	Vanessa DEBANKS, White Rock
2	Gwenna FAUPEL, Kamloops

U10D

Competitors

#	Name	Club	1	2	3	Wins	Pts	Pos
1	Jax ARCHAMBAULT	Creston	XX	2	10	2	12	1
2	Jasper HOWATT	Creston		XX	10	1	10	2
3	Wesley CHARTIER	Kamloops			XX	0	0	3

Matches

Match	White			Blue	Result	Time	Code
B-9	Jax ARCHAMBAULT	1	2	Jasper HOWATT	2 - 0	2:00	
B-14	Jax ARCHAMBAULT	1	3	Wesley CHARTIER	10 - 0	2:00	WIP
B-19	Jasper HOWATT	2	3	Wesley CHARTIER	10 - 0	2:00	IPO

Results

Pos	Name
1	Jax ARCHAMBAULT, Creston
2	Jasper HOWATT, Creston

U12A

Competitors

#	Name	Club	1	2	3	4	5	Wins	Pts	Pos
1	Ethan CROWN	Steveston	XX	10		10		2	20	3
2	Anna HALE	Penticton		XX		10		1	10	3
3	Tanner WILLS	Westsyde	10	10	XX	5		3	25	2
4	Kianna TURNER-YAMADA	Kamloops				XX		0	0	5
5	Stefano FATTOR	Kamloops	10	1	10	10	XX	4	31	1

Matches

Match	White			Blue	Result	Time	Code
B-3	Kianna TURNER-YAMADA	4	5	Stefano FATTOR	0 - 10	2:00	WIP
B-4	Ethan CROWN	1	2	Anna HALE	10 - 0	2:00	IPO
B-5	Tanner WILLS	3	4	Kianna TURNER-YAMADA	5 - 0	2:00	WAZ
B-6	Ethan CROWN	1	5	Stefano FATTOR	0 - 10	2:00	IPO
B-7	Anna HALE	2	3	Tanner WILLS	0 - 10	2:00	IPO
B-8	Ethan CROWN	1	4	Kianna TURNER-YAMADA	10 - 0	2:00	IPO
B-10	Tanner WILLS	3	5	Stefano FATTOR	0 - 10	1:56	IPO
B-11	Anna HALE	2	4	Kianna TURNER-YAMADA	10 - 0	2:00	IPO
B-15	Ethan CROWN	1	3	Tanner WILLS	0 - 10	2:00	IPO
B-16	Anna HALE	2	5	Stefano FATTOR	0 - 1	2:00	YUS

Results

Pos	Name
1	Stefano FATTOR, Kamloops
2	Tanner WILLS, Westsyde
3	Ethan CROWN, Steveston
3	Anna HALE, Penticton

U12B

Competitors

#	Name	Club	1	2	3	4	5	Wins	Pts	Pos
1	Luke JENSEN	Steveston	XX		10	10	10	3	30	2
2	Nathan THIEL	Abbotsford	2	XX	10	10	10	4	32	1
3	Maleek LISSIMORE	Kamloops			XX		10	1	10	3
4	Kyle CHENG	Steveston			10	XX		1	10	3
5	Luca STEWART	Steveston				1	XX	1	1	5

Matches

Match	White			Blue	Result	Time	Code
A-3	Kyle CHENG	4	5	Luca STEWART	0 - 1	2:00	YUS
A-4	Luke JENSEN	1	2	Nathan THIEL	0 - 2	2:00	
A-7	Maleek LISSIMORE	3	4	Kyle CHENG	0 - 10	2:00	IPO
A-8	Luke JENSEN	1	5	Luca STEWART	10 - 0	2:00	IPO
A-12	Nathan THIEL	2	3	Maleek LISSIMORE	10 - 0	1:03	IPO
A-13	Luke JENSEN	1	4	Kyle CHENG	10 - 0	2:00	IPO
A-17	Maleek LISSIMORE	3	5	Luca STEWART	10 - 0	2:00	IPO
A-18	Nathan THIEL	2	4	Kyle CHENG	10 - 0	1:51	IPO
A-22	Luke JENSEN	1	3	Maleek LISSIMORE	10 - 0	2:00	IPO
A-23	Nathan THIEL	2	5	Luca STEWART	10 - 0	1:22	IPO

Results

Pos	Name
1	Nathan THIEL, Abbotsford
2	Luke JENSEN, Steveston
3	Kyle CHENG, Steveston
3	Maleek LISSIMORE, Kamloops
5	Luca STEWART, Steveston

U12C

Competitors

#	Name	Club	1	2	3	4	5	Wins	Pts	Pos
1	Tyler CAMPBELL	Aberdeen	XX	10	10	5		3	25	2
2	Elijah BAYLEY	Creston		XX	2			1	2	3
3	Preston FIELDS	Shinbukan			XX			0	0	5
4	Taiyo ITO	Steveston		10	2	XX		2	12	3
5	Adam SCHALK	Steveston	2	2	10	5	XX	4	19	1

Matches

Match	White			Blue	Result	Time	Code
B-23	Taiyo ITO	4	5	Adam SCHALK	0 - 5	2:00	WAZ
B-24	Tyler CAMPBELL	1	2	Elijah BAYLEY	10 - 0	2:00	WIP
B-25	Preston FIELDS	3	4	Taiyo ITO	0 - 2	2:00	
B-26	Tyler CAMPBELL	1	5	Adam SCHALK	0 - 2	2:00	
B-27	Elijah BAYLEY	2	3	Preston FIELDS	2 - 0	2:00	
B-28	Tyler CAMPBELL	1	4	Taiyo ITO	5 - 0	2:00	WAZ
B-33	Preston FIELDS	3	5	Adam SCHALK	0 - 10	1:26	IPO
B-34	Elijah BAYLEY	2	4	Taiyo ITO	0 - 10	2:00	IPO
B-39	Tyler CAMPBELL	1	3	Preston FIELDS	10 - 0	0:51	IPO
B-40	Elijah BAYLEY	2	5	Adam SCHALK	0 - 2	2:00	

Results

Pos	Name
1	Adam SCHALK, Steveston
2	Tyler CAMPBELL, Aberdeen
3	Taiyo ITO, Steveston
3	Elijah BAYLEY, Creston

U12D

Competitors

#	Name	Club	1	2	3	4	5	Wins	Pts	Pos
1	Maxon MORI	Steveston	XX					0	0	5
2	Claire CONNOLLY	Westsyde	1	XX	2	1		3	4	2
3	Myah MASON	Shinbukan	1		XX			1	1	3
4	Maiya UYEDA	Kamloops	1		1	XX		2	2	3
5	Kaiya KOBAYASHI	Kamloops	10	1	10	10	XX	4	31	1

Matches

Match	White			Blue	Result	Time	Code
A-24	Maiya UYEDA	4	5	Kaiya KOBAYASHI	0 - 10	2:00	IPO
A-25	Maxon MORI	1	2	Claire CONNOLLY	0 - 1	2:00	YUS
A-28	Myah MASON	3	4	Maiya UYEDA	0 - 1	2:00	YUS
A-29	Maxon MORI	1	5	Kaiya KOBAYASHI	0 - 10	2:00	IPO
A-32	Claire CONNOLLY	2	3	Myah MASON	2 - 0	2:00	
A-33	Maxon MORI	1	4	Maiya UYEDA	0 - 1	2:00	YUS
A-37	Myah MASON	3	5	Kaiya KOBAYASHI	0 - 10	1:23	IPO
A-38	Claire CONNOLLY	2	4	Maiya UYEDA	1 - 0	2:00	YUS
A-42	Maxon MORI	1	3	Myah MASON	0 - 1	2:00	YUS
A-43	Claire CONNOLLY	2	5	Kaiya KOBAYASHI	0 - 1	2:00	YUS

Results

Pos	Name
1	Kaiya KOBAYASHI, Kamloops
2	Claire CONNOLLY, Westsyde
3	Maiya UYEDA, Kamloops
3	Myah MASON, Shinbukan

U12E

Competitors

#	Name	Club	1	2	3	4	Wins	Pts	Pos
1	Ryder JENSEN	Steveston	XX			10	1	10	3
2	Ava BRADLEY	Steveston	10	XX	10	1	3	21	1
3	Quynn CATCHEWAY	Creston	10		XX		1	10	2
4	Lia MARINESCU	Steveston			5	XX	1	5	3

Matches

Match	White			Blue	Result	Time	Code
B-29	Ryder JENSEN	1	2	Ava BRADLEY	0 - 10	2:00	IPO
B-30	Quynn CATCHEWAY	3	4	Lia MARINESCU	0 - 5	2:00	WAZ
B-35	Ryder JENSEN	1	3	Quynn CATCHEWAY	0 - 10	2:00	IPO
B-36	Ava BRADLEY	2	4	Lia MARINESCU	1 - 0	2:00	YUS
B-41	Ryder JENSEN	1	4	Lia MARINESCU	10 - 0	2:00	IPO
B-42	Ava BRADLEY	2	3	Quynn CATCHEWAY	10 - 0	0:59	IPO

Results

Pos	Name
1	Ava BRADLEY, Steveston
2	Quynn CATCHEWAY, Creston
3	Ryder JENSEN, Steveston
3	Lia MARINESCU, Steveston

U12F

Competitors

#	Name	Club	1	2	3	4	5	Wins	Pts	Pos
1	Aiko TAMAYOSE	Steveston	XX	2			10	2	12	2
2	Nathaniel GRUBER	Vernon		XX				0	0	5
3	Danica WRIGHT	Penticton	1	5	XX			2	6	3
4	Ivan DEBANKS	White Rock	2	10	10	XX	10	4	32	1
5	Michael CLOUTIER	Kamloops		2	10		XX	2	12	3

Matches

Match	White			Blue	Result	Time	Code
A-26	Ivan DEBANKS	4	5	Michael CLOUTIER	10 - 0	1:48	IPO
A-27	Aiko TAMAYOSE	1	2	Nathaniel GRUBER	2 - 0	2:00	
A-30	Danica WRIGHT	3	4	Ivan DEBANKS	0 - 10	2:00	IPO
A-31	Aiko TAMAYOSE	1	5	Michael CLOUTIER	10 - 0	2:00	IPO
A-34	Nathaniel GRUBER	2	3	Danica WRIGHT	0 - 5	2:00	WAZ
A-35	Aiko TAMAYOSE	1	4	Ivan DEBANKS	0 - 2	2:00	
A-39	Danica WRIGHT	3	5	Michael CLOUTIER	0 - 10	2:00	IPO
A-40	Nathaniel GRUBER	2	4	Ivan DEBANKS	0 - 10	0:57	IPO
A-44	Aiko TAMAYOSE	1	3	Danica WRIGHT	0 - 1	2:00	YUS
A-45	Nathaniel GRUBER	2	5	Michael CLOUTIER	0 - 2	2:00	

Results

Pos	Name
1	Ivan DEBANKS, White Rock
2	Aiko TAMAYOSE, Steveston
3	Michael CLOUTIER, Kamloops
3	Danica WRIGHT, Penticton

U12G

Competitors

#	Name	Club	1	2	3	4	Wins	Pts	Pos
1	Kameron MEISTERMAN	Steveston	XX	10	2		2	12	2
2	Omar OBEIDAT	Steveston		XX		1	1	1	3
3	Porter SANTANO	Creston		10	XX		1	10	3
4	Brody ARCHAMBAULT	Creston	5		10	XX	2	15	1

Matches

Match	White			Blue	Result	Time	Code
B-31	Kameron MEISTERMAN	1	2	Omar OBEIDAT	10 - 0	1:55	IPO
B-32	Porter SANTANO	3	4	Brody ARCHAMBAULT	0 - 10	2:00	IPO
B-37	Kameron MEISTERMAN	1	3	Porter SANTANO	2 - 0	2:00	
B-38	Omar OBEIDAT	2	4	Brody ARCHAMBAULT	1 - 0	2:00	YUS
B-43	Kameron MEISTERMAN	1	4	Brody ARCHAMBAULT	0 - 5	2:00	WAZ
B-44	Omar OBEIDAT	2	3	Porter SANTANO	0 - 10	2:00	IPO

Results

Pos	Name
1	Brody ARCHAMBAULT, Creston
2	Kameron MEISTERMAN, Steveston
3	Porter SANTANO, Creston
3	Omar OBEIDAT, Steveston

U12H

Competitors

#	Name	Club	1	2	3	Wins	Pts	Pos
1	Zak SANDERSON	Kamloops	XX			0	0	3
2	Charlotte SCHEEPERS	Penticton	10	XX		1	10	2
3	Olexa FELITSYN	Creston	2	5	XX	2	7	1

Matches

Match	White			Blue	Result	Time	Code
A-36	Zak SANDERSON	1	2	Charlotte SCHEEPERS	0 - 10	2:00	IPO
A-41	Zak SANDERSON	1	3	Olexa FELITSYN	0 - 2	2:00	
A-46	Charlotte SCHEEPERS	2	3	Olexa FELITSYN	0 - 5	2:00	WAZ

Results

Pos	Name
1	Olexa FELITSYN, Creston
2	Charlotte SCHEEPERS, Penticton

U14M-34

Competitors

#	Name	Club	1	2	3	Wins	Pts	Pos
1	Connor GRINDLE	Creston	XX		10	1	10	2
2	Tucker VIDAL	Westsyde	10	XX	10	2	20	1
3	Tyler MORIN	Vernon			XX	0	0	3

Matches

Match	White			Blue	Result	Time	Code
B-4	Connor GRINDLE	1	2	Tucker VIDAL	0 - 10	0:21	WIP
B-10	Connor GRINDLE	1	3	Tyler MORIN	10 - 0	0:35	IPO
B-16	Tucker VIDAL	2	3	Tyler MORIN	10 - 0	0:10	IPO

Results

Pos	Name
1	Tucker VIDAL, Westsyde
2	Connor GRINDLE, Creston

U14M-42

Competitors

#	Name	Club	1	2	3	4	5	Wins	Pts	Pos
1	Alexander ACTON	Revelstoke	XX					0	0	5
2	Brody WYMAN	Westsyde	10	XX			10	2	20	3
3	Wilfred LAW	Shinbukan	10	10	XX		5	3	25	2
4	Daniel FABBRO	Creston	10	10	10	XX	10	4	40	1
5	Kareem LISSIMORE	Kamloops	10				XX	1	10	3

Matches

Match	White			Blue	Result	Time	Code
A-1	Daniel FABBRO	4	5	Kareem LISSIMORE	10 - 0	0:33	IPO
A-2	Alexander ACTON	1	2	Brody WYMAN	0 - 10	0:48	IPO
A-3	Wilfred LAW	3	4	Daniel FABBRO	0 - 10	1:43	IPO
A-4	Alexander ACTON	1	5	Kareem LISSIMORE	0 - 10	0:47	IPO
A-5	Brody WYMAN	2	3	Wilfred LAW	0 - 10	0:41	IPO
A-6	Alexander ACTON	1	4	Daniel FABBRO	0 - 10	0:43	IPO
A-9	Wilfred LAW	3	5	Kareem LISSIMORE	5 - 0	3:00	WAZ
A-10	Brody WYMAN	2	4	Daniel FABBRO	0 - 10	0:21	IPO
A-13	Alexander ACTON	1	3	Wilfred LAW	0 - 10	1:07	IPO
A-14	Brody WYMAN	2	5	Kareem LISSIMORE	10 - 0	3:00	IPO

Results

Pos	Name
1	Daniel FABBRO, Creston
2	Wilfred LAW, Shinbukan
3	Brody WYMAN, Westsyde
3	Kareem LISSIMORE, Kamloops

U14M-46

Competitors

#	Name	Club	1	2	3	Wins	Pts	Pos
1	Jakob FAUPEL	Kamloops	XX			0	0	3
2	Lawson BANBURY	Creston	10	XX	5	2	15	1
3	Diego AWAD	Revelstoke	10		XX	1	10	2

Matches

Match	White			Blue	Result	Time	Code
B-1	Jakob FAUPEL	1	2	Lawson BANBURY	0 - 10	2:37	IPO
B-7	Jakob FAUPEL	1	3	Diego AWAD	0 - 10	1:43	IPO
B-13	Lawson BANBURY	2	3	Diego AWAD	5 - 0	3:00	WAZ

Results

Pos	Name
1	Lawson BANBURY, Creston
2	Diego AWAD, Revelstoke

U14M-55

Competitors

#	Name	Club	1	2	3	4	Wins	Pts	Pos
1	Kayden LITTLE	Shinbukan	XX			10	1	10	3
2	Maximilian SPRINGMANN	Shinbukan	10	XX	10	5	3	25	1
3	Hayden SAMMET	Kamloops	10		XX		1	10	2
4	Kazuto UYEDA	Kamloops			10	XX	1	10	3

Matches

Match	White			Blue	Result	Time	Code
A-7	Kayden LITTLE	1	2	Maximilian SPRINGMANN	0 - 10	1:12	IPO
A-8	Hayden SAMMET	3	4	Kazuto UYEDA	0 - 10	2:53	IPO
A-11	Kayden LITTLE	1	3	Hayden SAMMET	0 - 10	0:39	IPO
A-12	Maximilian SPRINGMANN	2	4	Kazuto UYEDA	5 - 0	3:00	WAZ
A-15	Kayden LITTLE	1	4	Kazuto UYEDA	10 - 0	1:22	IPO
A-16	Maximilian SPRINGMANN	2	3	Hayden SAMMET	10 - 0	1:45	IPO

Results

Pos	Name
1	Maximilian SPRINGMANN, Shinbukan
2	Hayden SAMMET, Kamloops
2	Kayden LITTLE, Shinbukan
2	Kazuto UYEDA, Kamloops

U14W-40

Competitors

#	Name	Club	1	2	3	Wins	Pts	Pos
1	Ava GRUBER	Vernon	XX		10	1	10	2
2	Grace HENRY	Kamloops	10	XX	10	2	20	1
3	Mabel REID	Delta Kaigan			XX	0	0	3

Matches

Match	White			Blue	Result	Time	Code
B-5	Ava GRUBER	1	2	Grace HENRY	0 - 10	0:27	WIP
B-11	Ava GRUBER	1	3	Mabel REID	10 - 0	3:00	IPO
B-17	Grace HENRY	2	3	Mabel REID	10 - 0	0:48	WIP

Results

Pos	Name
1	Grace HENRY, Kamloops
2	Ava GRUBER, Vernon

U14W-44

Competitors

#	Name	Club	1	2	1	2	1	2	Wins	Pts	Pos
1	Abby PHILLIPS	Vernon	XX		XX		XX		0	0	2
2	Jessi MELENKA	Aberdeen	10	XX	10	XX		XX	2	20	1

Matches

Match	White			Blue	Result	Time	Code
B-6	Abby PHILLIPS	1	2	Jessi MELENKA	0 - 10	0:59	IPO
B-12	Jessi MELENKA	2	1	Abby PHILLIPS	10 - 0	0:40	IPO
B-18	Abby PHILLIPS	1	2	Jessi MELENKA			

Results

Pos	Name
1	Jessi MELENKA, Aberdeen

U14W-52

Competitors

#	Name	Club	1	2	3	Wins	Pts	Pos
1	Sarah CLARKE	Kelowna	XX	10		1	10	2
2	Payton MARCHAND	Aberdeen		XX		0	0	3
3	Clara KENYON	Revelstoke	10	10	XX	2	20	1

Matches

Match	White			Blue	Result	Time	Code
B-3	Sarah CLARKE	1	2	Payton MARCHAND	10 - 0	0:15	IPO
B-9	Sarah CLARKE	1	3	Clara KENYON	0 - 10	1:43	IPO
B-15	Payton MARCHAND	2	3	Clara KENYON	0 - 10	0:15	IPO

Results

Pos	Name
1	Clara KENYON, Revelstoke
2	Sarah CLARKE, Kelowna

U14W+63

Competitors

#	Name	Club	1	2	1	2	1	2	Wins	Pts	Pos
1	Maggie SINCLAIR	Aberdeen	XX		XX	10	XX	10	2	20	1
2	Teigan BIXBY	Vernon	10	XX		XX		XX	1	10	2

Matches

Match	White			Blue	Result	Time	Code
B-2	Maggie SINCLAIR	1	2	Teigan BIXBY	0 - 10	0:28	IPO
B-8	Teigan BIXBY	2	1	Maggie SINCLAIR	0 - 10	0:57	IPO
B-14	Maggie SINCLAIR	1	2	Teigan BIXBY	10 - 0	1:25	WIP

Results

Pos	Name
1	Maggie SINCLAIR, Aberdeen
2	Teigan BIXBY, Vernon

U16M-50

Competitors A

#	Name	Club	1	2	3	Wins	Pts	Pos
1	Kiyoshi COMLEY	Vernon	XX		10	1	10	2
2	Aaron OKANO	Aberdeen	10	XX	10	2	20	1
3	Seth FULTON	Kamloops			XX	0	0	3

Matches A

Match	White	Blue	Result	Time	Code
A-38	Kiyoshi COMLEY 1 2	Aaron OKANO	0 - 10	2:12	IPO
A-42	Kiyoshi COMLEY 1 3	Seth FULTON	10 - 0	0:40	IPO
A-46	Aaron OKANO 2 3	Seth FULTON	10 - 0	1:26	IPO

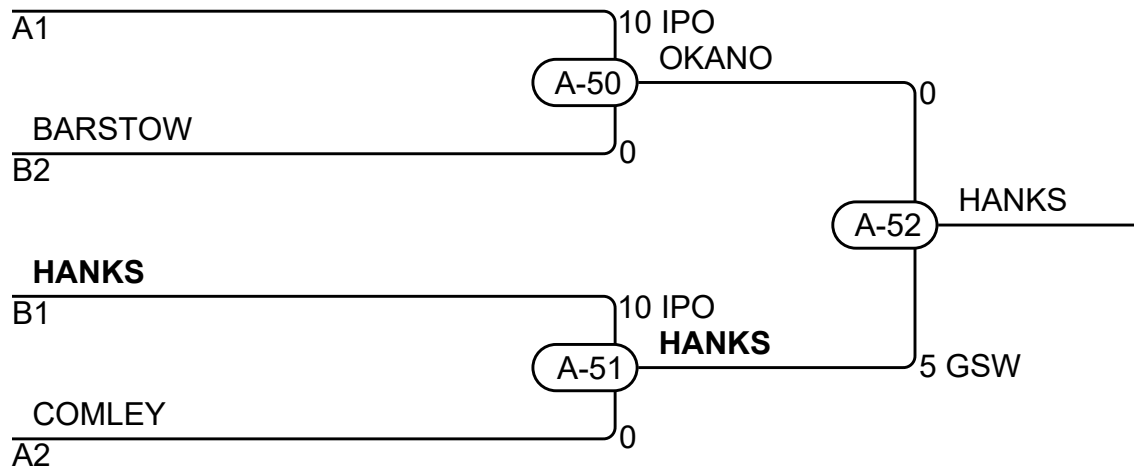
Competitors B

#	Name	Club	4	5	6	Wins	Pts	Pos
4	Charlie BARSTOW	Steveston	XX	10		1	10	2
5	Benjamin SINCLAIR	Aberdeen		XX		0	0	3
6	Graeme HANKS	Aberdeen	10	10	XX	2	20	1

Matches B

Match	White	Blue	Result	Time	Code
A-39	Charlie BARSTOW 4 5	Benjamin SINCLAIR	10 - 0	0:17	IPO
A-43	Charlie BARSTOW 4 6	Graeme HANKS	0 - 10	1:04	IPO
A-47	Benjamin SINCLAIR 5 6	Graeme HANKS	0 - 10	1:12	IPO

OKANO



Results

Pos	Name
1	Graeme HANKS, Aberdeen
2	Aaron OKANO, Aberdeen
3	Charlie BARSTOW, Steveston
3	Kiyoshi COMLEY, Vernon

U16M-55

Competitors

#	Name	Club	1	2	3	Wins	Pts	Pos
1	Owen MEEKS	Kamloops	XX	10	10	2	20	1
2	Benjamin HARCOTT	Kamloops		XX		0	0	3
3	Achile KOSAKA	Penticton		10	XX	1	10	2

Matches

Match	White			Blue	Result	Time	Code
A-31	Owen MEEKS	1	2	Benjamin HARCOTT	10 - 0	1:28	IPO
A-34	Owen MEEKS	1	3	Achile KOSAKA	10 - 0	0:15	IPO
A-37	Benjamin HARCOTT	2	3	Achile KOSAKA	0 - 10	7:21	GSI

Results

Pos	Name
1	Owen MEEKS, Kamloops
2	Achile KOSAKA, Penticton

U16M-66

Competitors

#	Name	Club	1	2	3	4	5	Wins	Pts	Pos
1	Finn NEWCOMEN	Kamloops	XX			10		1	10	3
2	Nicholas PLUMTREE	Aberdeen	10	XX	10	10	10	4	40	1
3	Ryu TAMAYOSE	Steveston	10		XX	10		2	20	3
4	Evan FELISYN	Creston				XX		0	0	5
5	Cole PRIESTMAN	Police JJ	10		10	10	XX	3	30	2

Matches

Match	White			Blue	Result	Time	Code
B-34	Evan FELISYN	4	5	Cole PRIESTMAN	0 - 10	0:08	IPO
B-35	Finn NEWCOMEN	1	2	Nicholas PLUMTREE	0 - 10	0:12	IPO
B-36	Ryu TAMAYOSE	3	4	Evan FELISYN	10 - 0	0:12	IPO
B-37	Finn NEWCOMEN	1	5	Cole PRIESTMAN	0 - 10	1:19	IPO
B-40	Nicholas PLUMTREE	2	3	Ryu TAMAYOSE	10 - 0	0:12	IPO
B-41	Finn NEWCOMEN	1	4	Evan FELISYN	10 - 0	0:31	WIP
B-45	Ryu TAMAYOSE	3	5	Cole PRIESTMAN	0 - 10	0:59	IPO
B-46	Nicholas PLUMTREE	2	4	Evan FELISYN	10 - 0	0:11	IPO
B-50	Finn NEWCOMEN	1	3	Ryu TAMAYOSE	0 - 10	0:12	IPO
B-51	Nicholas PLUMTREE	2	5	Cole PRIESTMAN	10 - 0	1:01	WIP

Results

Pos	Name
1	Nicholas PLUMTREE, Aberdeen
2	Cole PRIESTMAN, Police JJ
3	Ryu TAMAYOSE, Steveston
3	Finn NEWCOMEN, Kamloops

U16M-73

Competitors

#	Name	Club	1	2	3	Wins	Pts	Pos
1	Layne SESSA	Revelstoke	XX	10	10	2	20	1
2	Lachlan KEIRN	Creston		XX		0	0	3
3	Taro ONA	Kamloops		10	XX	1	10	2

Matches

Match	White			Blue	Result	Time	Code
A-41	Layne SESSA	1	2	Lachlan KEIRN	10 - 0	1:40	IPO
A-45	Layne SESSA	1	3	Taro ONA	10 - 0	2:15	IPO
A-49	Lachlan KEIRN	2	3	Taro ONA	0 - 10	3:00	IPO

Results

Pos	Name
1	Layne SESSA, Revelstoke
2	Taro ONA, Kamloops

U16M+73

Competitors

#	Name	Club	1	2	3	Wins	Pts	Pos
1	Estaban AWAD	Revelstoke	XX		10	1	10	2
2	Taro ONA	Kamloops	10	XX	10	2	20	1
3	Nolan ILIC	Westsyde			XX	0	0	3

Matches

Match	White			Blue	Result	Time	Code
B-25	Estaban AWAD	1	2	Taro ONA	0 - 10	2:56	IPO
B-28	Estaban AWAD	1	3	Nolan ILIC	10 - 0	0:27	WIP
B-31	Taro ONA	2	3	Nolan ILIC	10 - 0	0:25	IPO

Results

Pos	Name
1	Taro ONA, Kamloops
2	Estaban AWAD, Revelstoke

U16W-52

Competitors

#	Name	Club	1	2	1	2	1	2	Wins	Pts	Pos
1	Clodagh DEVEREUX	Delta Kaigan	XX		XX		XX		0	0	2
2	Clara KENYON	Revelstoke	10	XX	10	XX		XX	2	20	1

Matches

Match	White			Blue	Result	Time	Code
A-30	Clodagh DEVEREUX	1	2	Clara KENYON	0 - 10	0:47	IPO
A-33	Clara KENYON	2	1	Clodagh DEVEREUX	10 - 0	0:26	IPO
A-36	Clodagh DEVEREUX	1	2	Clara KENYON			

Results

Pos	Name
1	Clara KENYON, Revelstoke

U16W+70

Competitors

#	Name	Club	1	2	3	4	Wins	Pts	Pos
1	Teigan BIXBY	Vernon	XX			10	1	10	3
2	Jade LOWENSTEIN	Penticton	10	XX	10	10	3	30	1
3	Maggie SINCLAIR	Aberdeen	10		XX	10	2	20	2
4	Jordyn YAMAKAWA	Kamloops				XX	0	0	3

Matches

Match	White			Blue	Result	Time	Code
B-38	Teigan BIXBY	1	2	Jade LOWENSTEIN	0 - 10	1:04	WIP
B-39	Maggie SINCLAIR	3	4	Jordyn YAMAKAWA	10 - 0	1:41	IPO
B-43	Teigan BIXBY	1	3	Maggie SINCLAIR	0 - 10	1:23	IPO
B-44	Jade LOWENSTEIN	2	4	Jordyn YAMAKAWA	10 - 0	0:45	IPO
B-48	Teigan BIXBY	1	4	Jordyn YAMAKAWA	10 - 0	1:53	IPO
B-49	Jade LOWENSTEIN	2	3	Maggie SINCLAIR	10 - 0	0:25	WIP

Results

Pos	Name
1	Jade LOWENSTEIN, Penticton
2	Maggie SINCLAIR, Aberdeen
3	Teigan BIXBY, Vernon

U18M-55

Competitors

#	Name	Club	1	2	3	Wins	Pts	Pos
1	Benjamin HARCOTT	Kamloops	XX			0	0	3
2	Owen MEEKS	Kamloops	10	XX		1	10	2
3	Graeme HANKS	Aberdeen	10	10	XX	2	20	1

Matches

Match	White			Blue	Result	Time	Code
B-20	Benjamin HARCOTT	1	2	Owen MEEKS	0 - 10	0:23	WIP
B-22	Benjamin HARCOTT	1	3	Graeme HANKS	0 - 10	2:28	IPO
B-24	Owen MEEKS	2	3	Graeme HANKS	0 - 10	2:08	IPO

Results

Pos	Name
1	Graeme HANKS, Aberdeen
2	Owen MEEKS, Kamloops

U18M-60

Competitors

#	Name	Club	1	2	3	4	Wins	Pts	Pos
1	Josh GIESELMANN	Kelowna	XX			10	1	10	3
2	Finn NEWCOMEN	Kamloops	10	XX		10	2	20	2
3	Cole PRIESTMAN	Police JJ	10	10	XX	10	3	30	1
4	Ryu TAMAYOSE	Steveston				XX	0	0	3

Matches

Match	White			Blue	Result	Time	Code
A-18	Josh GIESELMANN	1	2	Finn NEWCOMEN	0 - 10	0:47	IPO
A-19	Cole PRIESTMAN	3	4	Ryu TAMAYOSE	10 - 0	1:56	IPO
A-22	Josh GIESELMANN	1	3	Cole PRIESTMAN	0 - 10	0:34	IPO
A-23	Finn NEWCOMEN	2	4	Ryu TAMAYOSE	10 - 0	1:16	IPO
A-26	Josh GIESELMANN	1	4	Ryu TAMAYOSE	10 - 0	0:51	IPO
A-27	Finn NEWCOMEN	2	3	Cole PRIESTMAN	0 - 10	1:21	IPO

Results

Pos	Name
1	Cole PRIESTMAN, Police JJ
2	Finn NEWCOMEN, Kamloops
3	Josh GIESELMANN, Kelowna

U18M-90

Competitors

#	Name	Club	1	2	1	2	1	2	Wins	Pts	Pos
1	David VOGES	Penticton	XX		XX		XX		0	0	2
2	Jimmy BIE	Steveston	10	XX	10	XX		XX	2	20	1

Matches

Match	White			Blue	Result	Time	Code
B-19	David VOGES	1	2	Jimmy BIE	0 - 10	0:10	IPO
B-21	Jimmy BIE	2	1	David VOGES	10 - 0	0:15	IPO
B-23	David VOGES	1	2	Jimmy BIE			

Results

Pos	Name
1	Jimmy BIE, Steveston

U18W-70

Competitors

#	Name	Club	1	2	3	Wins	Pts	Pos
1	Jade LOWENSTEIN	Penticton	XX		10	1	10	2
2	Hannah DARMADI	Nanaimo	10	XX	10	2	20	1
3	Jordyn YAMAKAWA	Kamloops			XX	0	0	3

Matches

Match	White			Blue	Result	Time	Code
A-17	Jade LOWENSTEIN	1	2	Hannah DARMADI	0 - 10	0:33	IPO
A-21	Jade LOWENSTEIN	1	3	Jordyn YAMAKAWA	10 - 0	0:38	IPO
A-25	Hannah DARMADI	2	3	Jordyn YAMAKAWA	10 - 0	0:26	IPO

Results

Pos	Name
1	Hannah DARMADI, Nanaimo
2	Jade LOWENSTEIN, Penticton

VM-81

Competitors

#	Name	Club	1	2	1	2	1	2	Wins	Pts	Pos
1	Turner MOYSE	Revelstoke	XX		XX		XX		0	0	2
2	Justin LANG	Abbotsford	10	XX	10	XX		XX	2	20	1

Matches

Match	White			Blue	Result	Time	Code
B-27	Turner MOYSE	1	2	Justin LANG	0 - 10	2:34	WIP
B-30	Justin LANG	2	1	Turner MOYSE	10 - 0	0:45	IPO
B-33	Turner MOYSE	1	2	Justin LANG			

Results

Pos	Name
1	Justin LANG, Abbotsford

VM-90

Competitors

#	Name	Club	1	2	1	2	1	2	Wins	Pts	Pos
1	Peter DEVEREUX	Delta Kaigan	XX		XX		XX		0	0	2
2	Andrew THIESSEN	Kamloops	10	XX	10	XX		XX	2	20	1

Matches

Match	White			Blue	Result	Time	Code
A-40	Peter DEVEREUX	1	2	Andrew THIESSEN	0 - 10	1:02	IPO
A-44	Andrew THIESSEN	2	1	Peter DEVEREUX	10 - 0	2:37	IPO
A-48	Peter DEVEREUX	1	2	Andrew THIESSEN			

Results

Pos	Name
1	Andrew THIESSEN, Kamloops

VM+100

Competitors

#	Name	Club	1	2	1	2	1	2	Wins	Pts	Pos
1	Justin FELLEENZ	Westsyde	XX	10	XX	10	XX		2	20	1
2	Adam CLARKE	Kelowna		XX		XX		XX	0	0	2

Matches

Match	White			Blue	Result	Time	Code
B-26	Justin FELLEENZ	1	2	Adam CLARKE	10 - 0	0:37	IPO
B-29	Adam CLARKE	2	1	Justin FELLEENZ	0 - 10	0:33	IPO
B-32	Justin FELLEENZ	1	2	Adam CLARKE			

Results

Pos	Name
1	Justin FELLEENZ, Westsyde

X1

Competitors

#	Name	Club	1	2	1	2	1	2	Wins	Pts	Pos
1	Dashiell NETTLES	Kamloops	XX		XX	10	XX		1	10	2
2	Andrew THIESSEN	Kamloops	10	XX		XX	10	XX	2	20	1

Matches

Match	White			Blue	Result	Time	Code
A-20	Dashiell NETTLES	1	2	Andrew THIESSEN	0 - 10	0:42	IPO
A-24	Andrew THIESSEN	2	1	Dashiell NETTLES	0 - 10	0:45	IPO
A-28	Dashiell NETTLES	1	2	Andrew THIESSEN	0 - 10	0:48	IPO

Results

Pos	Name
1	Andrew THIESSEN, Kamloops
2	Dashiell NETTLES, Kamloops